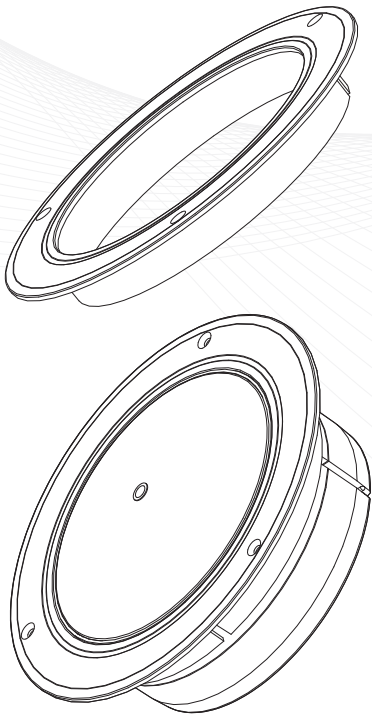
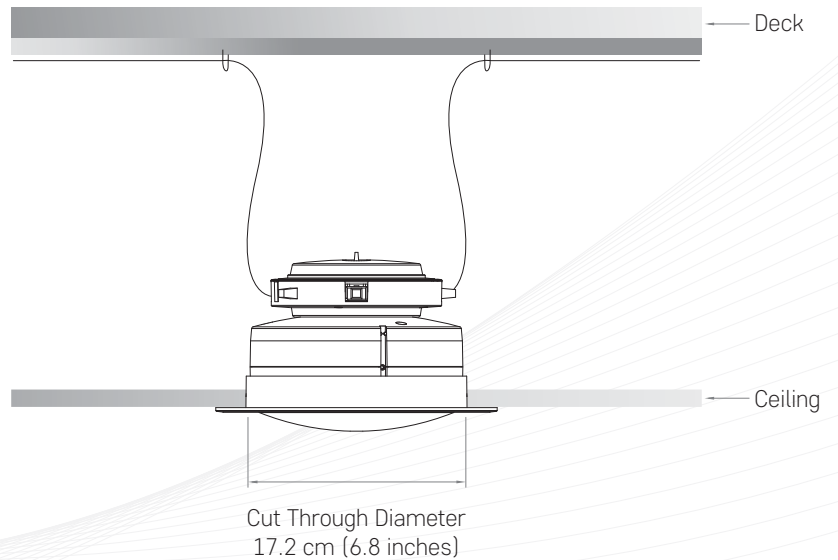


## Ceiling Mount Adapter

Install the Loudspeaker (LA) in gypsum or another hard ceiling material. Simply attach the hub to the loudspeaker and lower it into this adapter, mounted to the ceiling. A steel back plate offers support. Alternatively, use a Transducer; for more details, see the applicable section of this catalogue.



Available in white.



## CMA

### Physical Specifications

Faceplate Diameter	22 cm; 8.7 inches
Depth	2.8 cm; 1.1 inches
Material	Resin
Color	White
Weight	0.1 kg; 0.2 lb

### Mounting

Attachment to Loudspeaker	Lay-in (with option for screw attachment)
Cut-Through Diameter	17.2 cm; 6.8 inches
Suspension to Ceiling	3-point suspension
Bolt Size for Suspension	8-32 x 2.5 inches
Backup Suspension	Additional suspension option from d-ring on hub

### Warranty

5 years; see LogiSon® Product Warranty for details

## SPECIFICATIONS